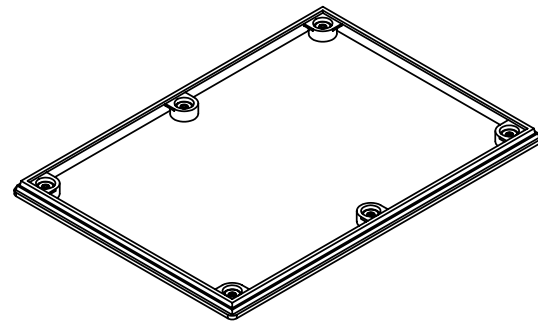
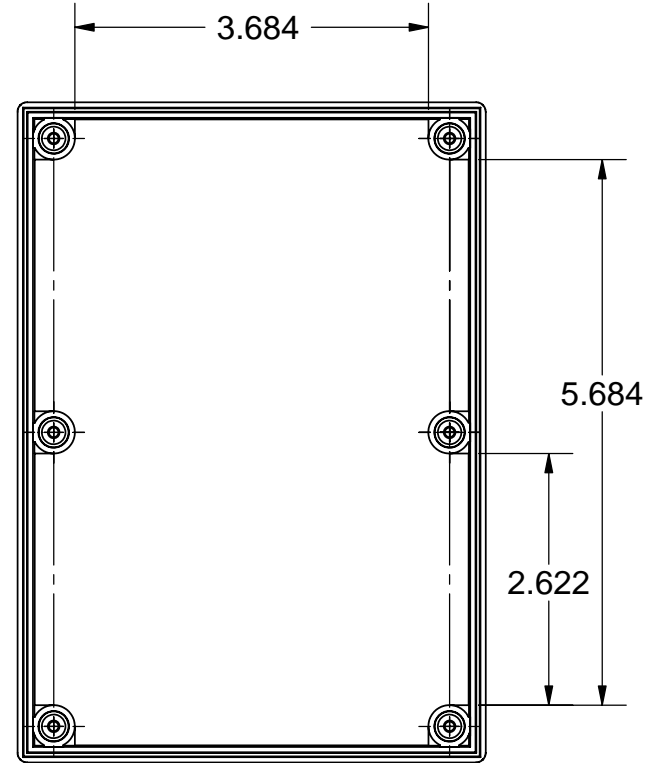
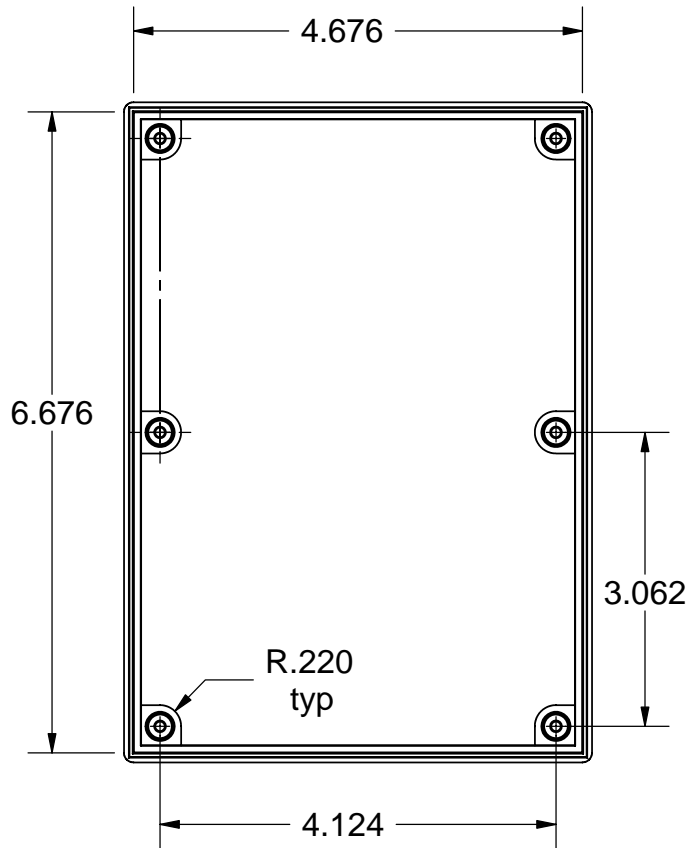


SERPAC PS 17 (Perimeter Seal)

Electronic Enclosures



NOTES: